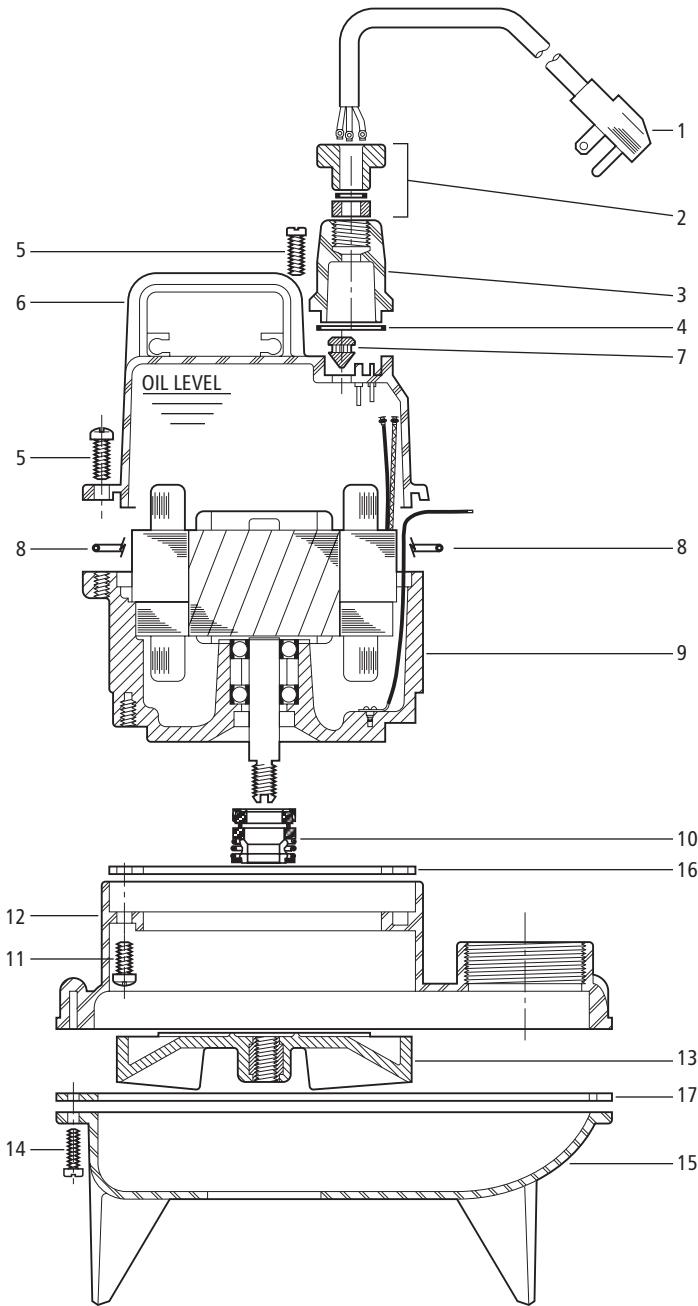


MODEL 3872 – WW05 Series



| Item No. | Part Description | Material | Qty. Req. | Repair Part Order No. |
|----------|---|------------------------|-----------|-----------------------|
| 1 | 10' Cord Set with Plug - 115 V | SJTOW - 16/3 | 1 | 9K207 |
| | 10' Cord Set with Plug - 230 V | | | 9K208 |
| | 20' Cord Set with Plug - 115 V | | | 9K209 |
| | 20' Cord Set with Plug - 230 V | | | 9K210 |
| 2 | Strain Relief Assembly, Cord Set | Varies | 1 | 5K113 |
| 3 | Gland Nut Housing | Thermoplastic | 1 | 9K226 |
| 4 | O-ring - gland nut housing | Buna-N, AS 568A-024 | | 5K197 |
| 5 | Fillister Head Screw - Motor Cover | AISI 300 SS | 4 | 13K347 |
| 6 | Motor Cover | Thermoplastic | 1 | 1K257 |
| 7 | Oil Plug Grommet | Buna-N | 1 | 6K87 |
| 8 | O-ring - Motor Cover | Buna-N, AS 568A-161 | 1 | 5K196 |
| 9 | Motor Assembly - 115 V, 1/2 HP | Varies | 1 | 1K284 |
| | Motor Assembly - 230 V, 1/2 HP | | | 1K285 |
| 10 | Mechanical Seal Assembly - Type 16 | Carbon/Ceramic | 1 | 10K32 |
| 11 | Fillister Head Screw - Casing | AISI 300 SS | 4 | 13K347 |
| 12 | Casing | Thermoplastic | 1 | 1K274 |
| 13 | Impeller | Thermoplastic | 1 | 2K494 |
| 14 | Thread Forming Screw | AISI 300 SS | 10 | 13K243 |
| 15 | Base | Thermoplastic | 1 | 1K275 |
| 16 | Gasket - Motor Adapter | Composite | 1 | 5K182 |
| 17 | Gasket - Casing | Composite | 1 | 5K217 |
| | Insulating Oil - see note on Index page | Turbine Oil - ATSM 150 | — | 4K432 |

Item No. 9 includes motor adapter, rotor, stator, tolerance ring, ground wire and ground screw.

1/2 HP – .85 quarts of insulating oil required.