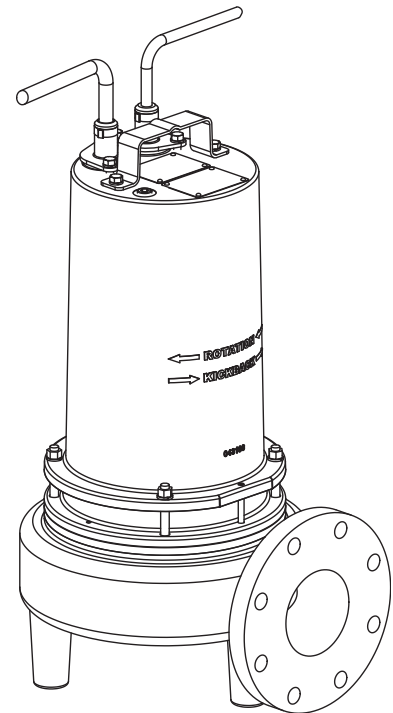


4" Horizontal Discharge - Submersible Non-Clog Pumps

DISCHARGE	4" 125lb., Flange Horizontal
LIQUID TEMPERATURE	104°F (40°C) Continuous
VOLUTE	Cast Iron ASTM A-48, Class 30
MOTOR HOUSING	Cast Iron ASTM A-48, Class 30
SEAL PLATE	Cast Iron ASTM, Class 30
IMPELLER: Design	2 Vane, semi-open with pump out vanes on back side, Dynamically Balanced, ISO G6.3
Material	Cast Iron ASTM, Class 30
SHAFT	416 Stainless Steel
SQUARE RINGS	Buna-N
DIAPHRAGM	Buna-N
HARDWARE	300 Series Stainless Steel
LIFTING BAIL	304 Stainless Steel
PAINT	Air Dry Enamel (Epoxy Optional)
SEAL: Design	Double Mechanical, Oil filled pressure equalized reservoir
Material	Carbon/Ceramic/Buna-N
	Hardware - 300 Series Stainless
CORD ENTRY	30 ft. (9.1 m) Cord. Quick connect custom molded for sealing and strain relief
SPEED	1150 or 1750 RPM (Nominal)
BEARINGS: Upper	Single Row, Ball, Oil Lubricated
Load	Radial
Lower	Single Row, Ball, Oil Lubricated
Load	Radial
Life	50,000 HR L10 Design
MOTOR: Design	NEMA L- Single Phase, NEMA B - Three Phase Torque Curve, Oil Filled, Squirrel Cage Induction
Winding	Class B, Class H rated Magnet Wire Class F on selected models
Service Factor	1.15
SINGLE PHASE	Permanent Split Capacitor (PSC) Includes Overload Protection in Motor
THREE PHASE	200-230/460 is Tri Voltage motor. 575. Requires Overload Protection to be included in Control Panel, VFD Suitable
MOISTURE SENSOR	Normally Open (N/O), Requires relay in control panel
TEMPERATURE SENSOR	Normally Closed (N/C), Requires relay in control panel. For three phase units ONLY
OPTIONAL EQUIPMENT	Seal Material, Impeller Trims, Additional Cord, Epoxy Paint

RECOMMENDED:

Accessories	Break Away Fitting (BAF) Check Valve Control Panel
Seal Kit PN	130178
Service Kit PN	130174



Series: 4SE 1.9 & 2.8HP, 1150RPM, 60Hz

Series: 4SE 2.8, 3.7, 5.0HP, 1750RPM, 60Hz



Sample Specifications: Section 1 Page 11.

DESCRIPTION:
SUBMERSIBLE NON-CLOG SEWAGE PUMP
DESIGNED FOR TYPICAL RAW SEWAGE
APPLICATIONS

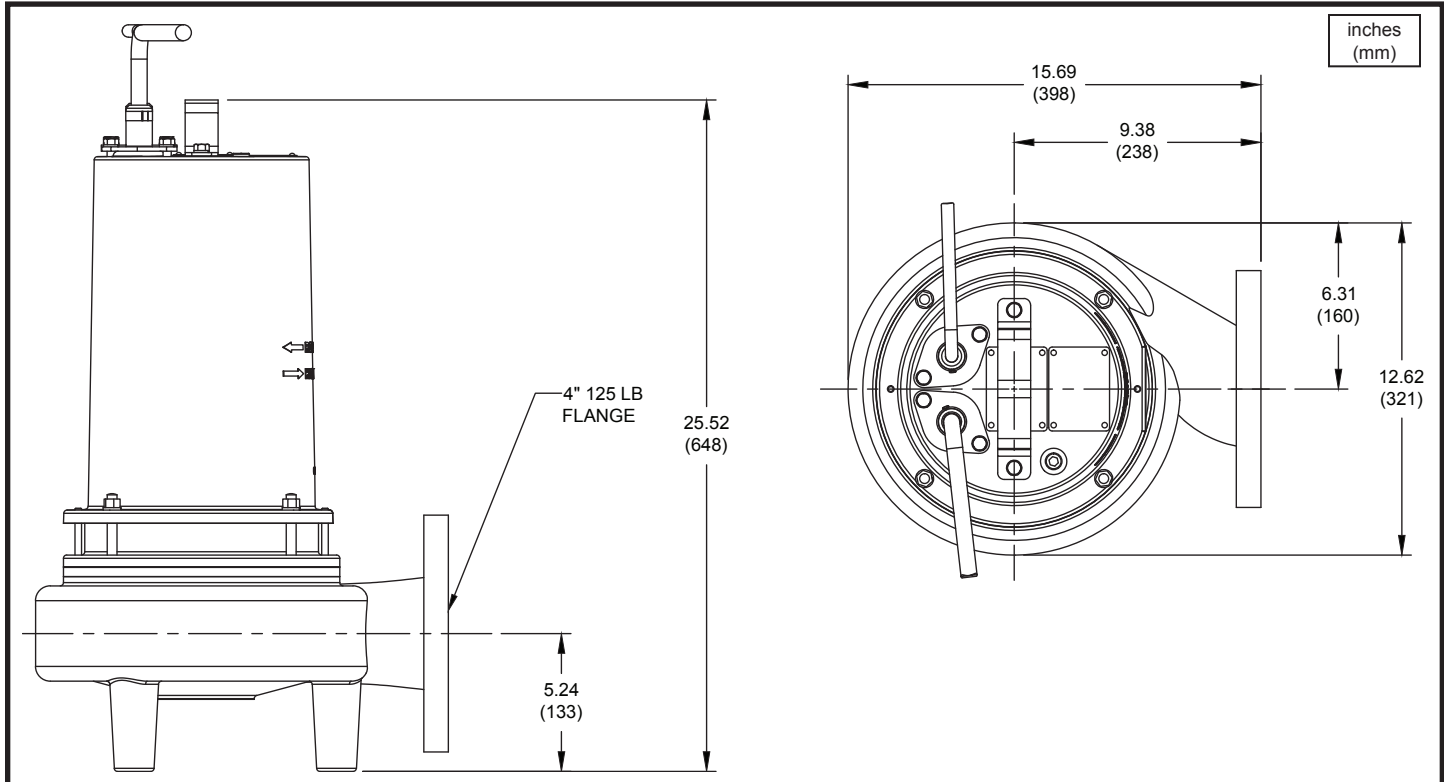
Series 4SE-L

3" Spherical Solids Handling

BARNES®

www.cranepumps.com

4" Horizontal Discharge - Submersible Non-Clog Pumps



MODEL NO	PART NO	HP	VOLT/PH	Hz	RPM (Nom)	NEMA START CODE	INSUL. CLASS	FULL LOAD AMPS	LOCKED ROTOR AMPS	CORD SIZE	CORD TYPE	CORD O.D inch (mm)
4SE1926L	133159	1.9	230/1	60	1150	D	B	8.3	35.0	14/3	SOOW/SOW	.53 (13.5)
4SE1996L	133160	1.9	200-230/3	60	1150	E/G	B	5.8/5.0	26.1/30.0	14/4	SOOW/SOW	.57 (14.5)
4SE1946L	133161	1.9	460/3	60	1150	G	B	2.5	15.0	14/4	SOOW/SOW	.57 (14.5)
4SE1956L	133162	1.9	575/3	60	1150	G	B	2.0	12.0	14/4	SOOW/SOW	.57 (14.5)
4SE2826L	133163	2.8	230/1	60	1150	A	B	13.5	31.0	12/3	SOOW/SOW	.61 (15.5)
4SE2896L	133164	2.8	200-230/3	60	1150	F/H	B	9.2/8.4	38.2/44.0	14/4	SOOW/SOW	.57 (14.5)
4SE2846L	133165	2.8	460/3	60	1150	H	B	4.2	22.0	14/4	SOOW/SOW	.57 (14.5)
4SE2856L	133166	2.8	575/3	60	1150	H	B	3.4	17.6	14/4	SOOW/SOW	.57 (14.5)
4SE2824L	133125	2.8	230/1	60	1750	A	B	12.6	23.0	12/3	SOOW/SOW	.61 (15.5)
4SE2894L	133141	2.8	200-230/3	60	1750	D/G	B	9.2/8.0	35.9/42.7	12/4	SOOW/SOW	.68 (17.4)
4SE2844L	133142	2.8	460/3	60	1750	F	B	4.0	18.0	14/4	SOOW/SOW	.57 (14.5)
4SE2854L	133144	2.8	575/3	60	1750	F	B	3.2	14.4	14/4	SOOW/SOW	.57 (14.5)
4SE3724L	133145	3.7	230/1	60	1750	A	B	20.0	29.0	10/3	SOOW/SOW	.66 (16.8)
4SE3794L	133146	3.7	200-230/3	60	1750	B/E	B	16.1/14.0	35.9/42.7	12/4	SOOW/SOW	.68 (17.4)
4SE3744L	133147	3.7	460/3	60	1750	E	B	7.0	21.3	14/4	SOOW/SOW	.57 (14.5)
4SE3754L	133148	3.7	575/3	60	1750	G	B	5.6	21.6	14/4	SOOW/SOW	.57 (14.5)
4SE5024L	133149	5.0	230/1	60	1750	A	F	28.0	59.0	10/3	SOOW/SOW	.66 (16.8)
4SE5094L	133150	5.0	200-230/3	60	1750	B/D	F	20.9/19.0	48.6/56.0	10/4	SOOW/SOW	.72 (18.5)
4SE5044L	133151	5.0	460/3	60	1750	D	F	9.0	28.0	14/4	SOOW/SOW	.57 (14.5)
4SE5054L	131152	5.0	575/3	60	1750	E	B	8.3	23.0	14/4	SOOW/SOW	.57 (14.5)

Moisture/Temperature sensor cord for all models is 18/5 SOOW/SOW, 0.47 (11.9mm) O.D.

IMPORTANT !

- 1.) PUMP MAY BE OPERATED "DRY" FOR EXTENDED PERIODS WITHOUT DAMAGE TO MOTOR AND/OR SEALS.
- 2.) INSTALLATIONS SUCH AS DECORATIVE FOUNTAINS OR WATER FEATURES PROVIDED FOR VISUAL ENJOYMENT MUST BE INSTALLED IN ACCORDANCE WITH THE NATIONAL ELECTRIC CODE ANSI/NFPA 70 AND/OR THE AUTHORITY HAVING JURISDICTION. THIS PUMP IS NOT INTENDED FOR USE IN SWIMMING POOLS, RECREATIONAL WATER PARKS, OR INSTALLATIONS IN WHICH HUMAN CONTACT WITH PUMPED MEDIA IS A COMMON OCCURRENCE.

SECTION 1D
PAGE 8
DATE 11/15

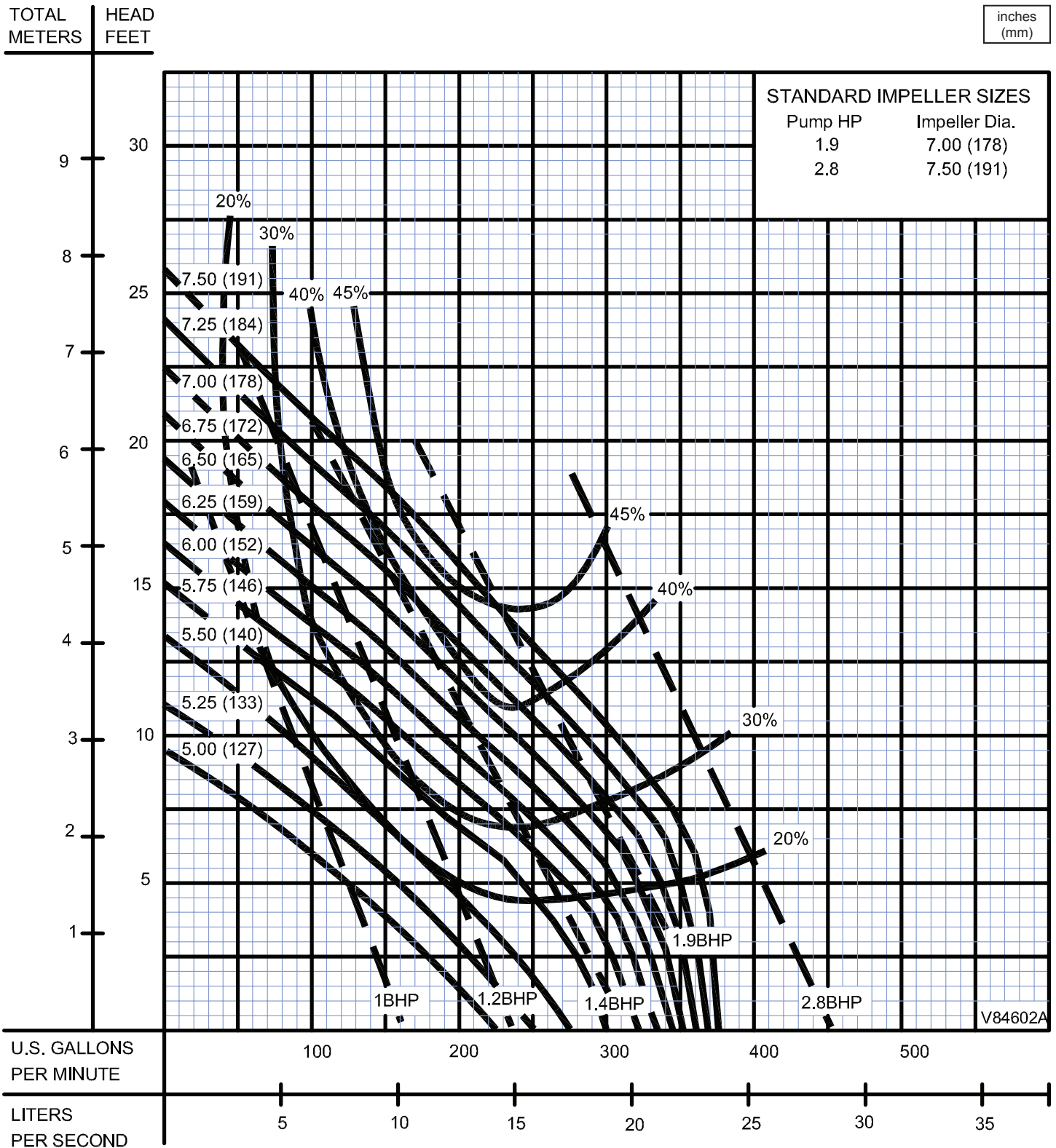
CRANE®

A Crane Co. Company

PUMPS & SYSTEMS

USA: (937) 778-8947 • Canada: (905) 457-6223 • International: (937) 615-3598

4" Horizontal Discharge - Submersible Non-Clog Pumps



Testing is performed with water, specific gravity 1.0 @ 68° F @ (20°C), other fluids may vary performance

Series 4SE-L

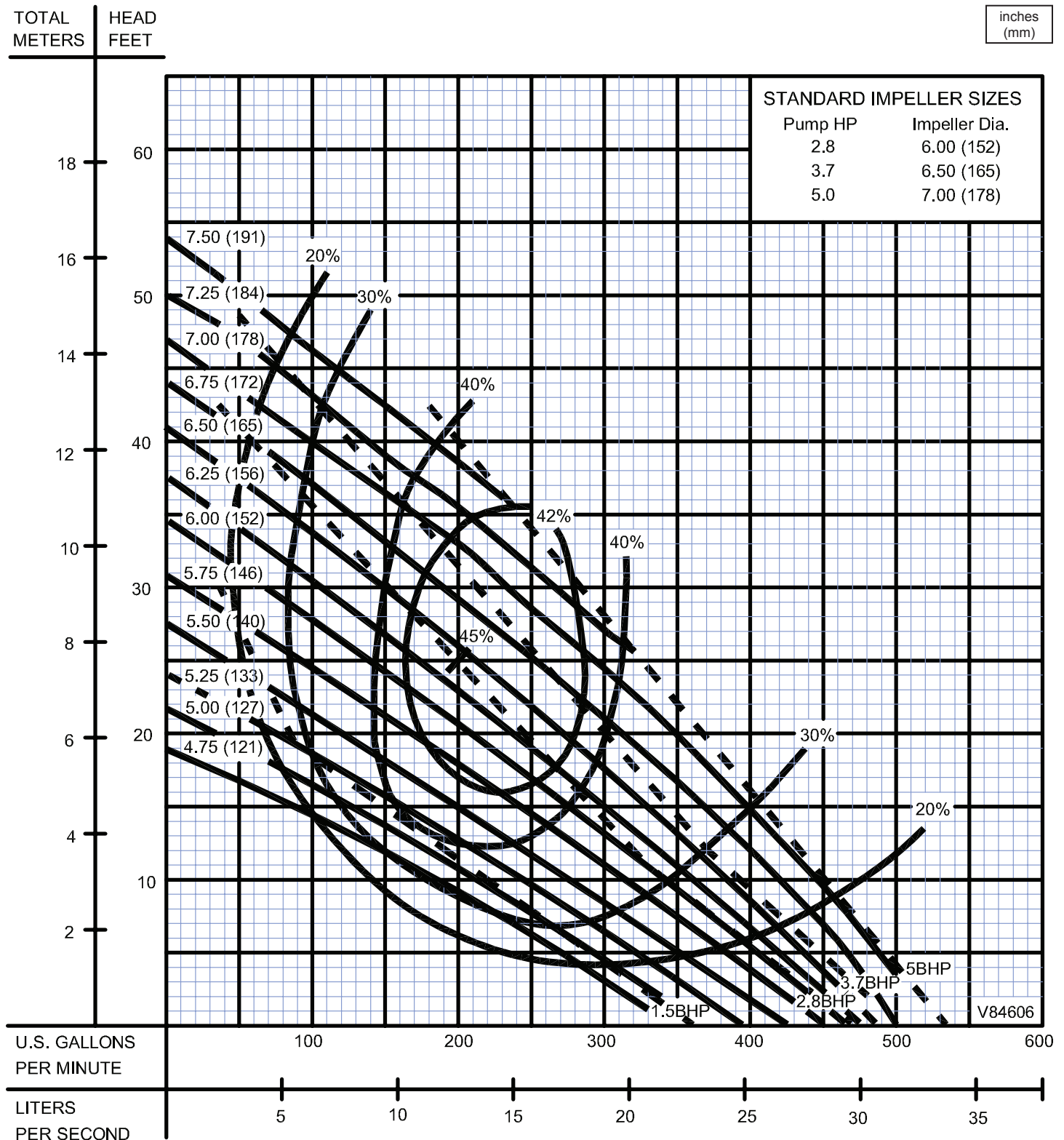
Performance Curve

2.8, 3.7 & 5.0HP, 1750RPM, 60Hz

BARNES®

www.cranepumps.com

4" Horizontal Discharge - Submersible Non-Clog Pumps



Testing is performed with water, specific gravity 1.0 @ 68° F @ (20°C), other fluids may vary performance

SECTION 1D
PAGE 10
DATE 1/05



PUMPS & SYSTEMS

A Crane Co. Company

USA: (937) 778-8947 • Canada: (905) 457-6223 • International: (937) 615-3598