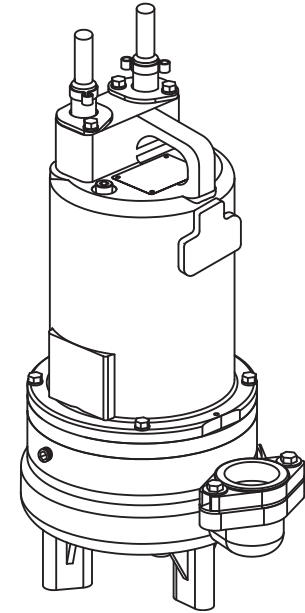


### 2" Discharge

**DISCHARGE** .....2" NPT, Female, Vertical, Bolt-on Flange  
**LIQUID TEMPERATURE** .....104°F (40°C) Continuous  
**VOLUTE** .....Cast Iron ASTM A-48, Class 30  
**MOTOR HOUSING** .....Cast Iron ASTM A-48, Class 30  
**SEAL PLATE** .....Cast Iron ASTM A-48, Class 30  
**IMPELLER: Design** .....Vortex, open, with pump out vanes on back side. Dynamically balanced, ISO G6.3  
**Material** .....Cast Iron ASTM A-48, Class 30  
**SHAFT** .....416 Stainless Steel  
**SQUARE RINGS**.....Buna-N  
**HARDWARE** .....300 Series Stainless Steel  
**PAINT** .....Air Dry Enamel  
**SEAL:** **Design** .....Tandem Mechanical, Oil filled reservoir  
**Material** .....Carbon/Ceramic/Buna-N  
Hardware -300 Series Stainless  
**CORD ENTRY** .....20 ft. (6.1m) Cord with plug on 120 volt & .5HP, 240 volt, 1 phase. Quick connect custom molded for sealing and strain relief  
**SPEED** .....1750 & 3450RPM (Nominal)  
**UPPER BEARING**.....Single Row, Ball, Oil lubricated  
**Load**.....Radial  
**LOWER BEARING**.....Single Row, Ball, Oil lubricated  
**Load**.....Radial & Thrust  
**MOTOR: Design** .....NEMA L -Single Phase, NEMA B -Three phase Torque Curve, Oil Filled, Squirrel Cage Induction  
**Insulation**.....Class B  
Class F on selected models  
**SINGLE PHASE**.....Permanent Split Capacitor (PSC)  
Includes Overload Protection in Motor  
**THREE PHASE**.....200-240/480 is Tri-Voltage. 600V.  
Requires Overload Protection to be included in control panel  
**OPTIONAL EQUIPMENT**.....Seal Material, Impeller Trims, Additional cord, Normally Closed Temperature Sensors with cord for 3 phase pumps (Requires relay in control panel), Normally Open Moisture sensor with cord for DS pumps (Requires relay in control panel).

**RECOMMENDED:**

**Accessories**.....Break Away Fitting (BAF)  
Check Valve  
Control Panel  
**Seal Kit PN** .....130176  
**Service Kit PN**.....130172



**Series: 2SEV-DS**  
**0.5, 0.75, 1.0HP,**  
**1750 & 3450RPM, 60Hz**



Sample Specifications: Section 1 Page 9.

**DESCRIPTION:**

SUBMERSIBLE NON-CLOG SEWAGE PUMP  
DESIGNED FOR TYPICAL RAW SEWAGE  
APPLICATIONS

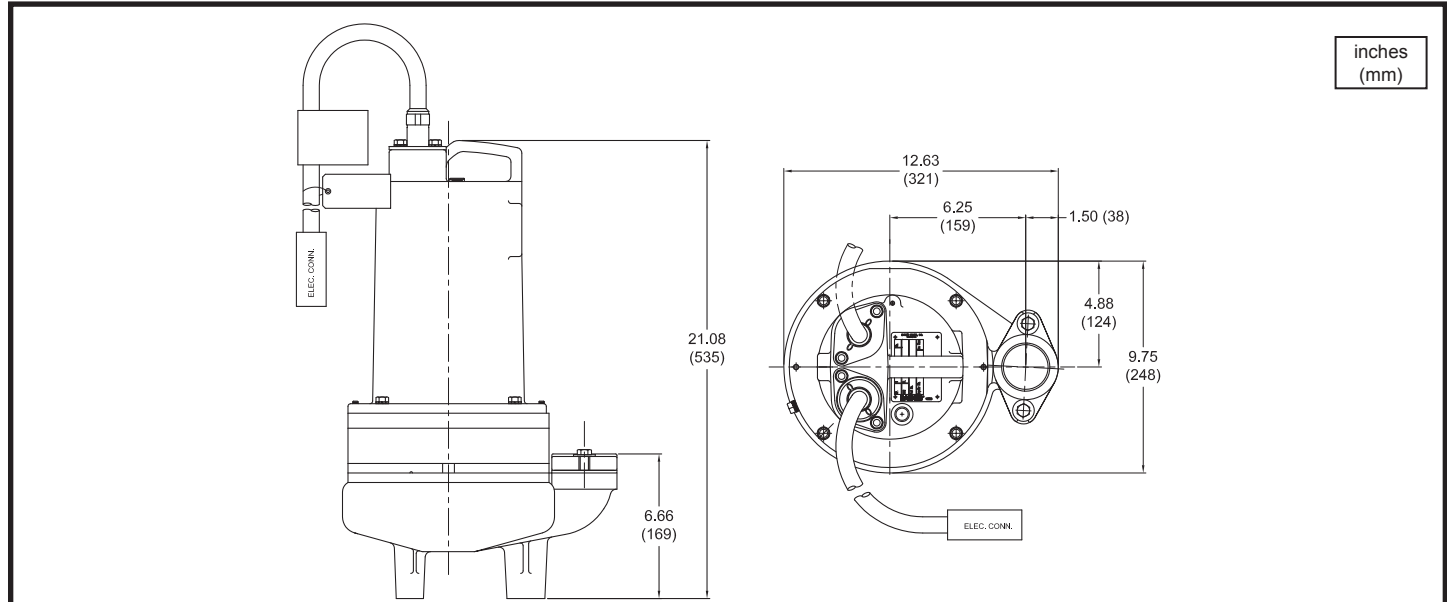
# Series 2SEV-DS

2" Spherical Solids Handling  
Vortex, Double Seal

# BARNES®

www.cranepumps.com

## 2" Discharge



MODEL NO	PART NO	HP	VOLT/PH	Hz	RPM (Nom)	NEMA START CODE	INSUL. CLASS	FULL LOAD AMPS	LOCKED ROTOR AMPS	CORD SIZE	CORD TYPE	CORD O.D inch (mm)
2SEV514DS	104923	0.5	120/1	60	1750	F	B	12.0	21.3	14/3	SJTOW	0.375 (9.5)
2SEV524DS	104924	0.5	240/1	60	1750	J	B	6.3	14.9	14/3	SOW	0.530 (13.5)
2SEV594DS	104925	0.5	200-240/3	60	1750	H/L	B	3.7/3.8	9.8/11.0	14/4	SOW	0.570 (14.5)
2SEV544DS	104926	0.5	480/3	60	1750	K	B	1.9	5.3	14/4	SOW	0.570 (14.5)
2SEV554DS	104927	0.5	600/3	60	1750	H	B	1.4	3.4	14/4	SOW	0.570 (14.5)
2SEV724DS	104932	0.75	240/1	60	1750	K	F	7.1	25.8	14/3	SOW	0.530 (13.5)
2SEV794DS	104933	0.75	200-240/3	60	1750	H/K	F	4.8/4.6	13.7/15.4	14/4	SOW	0.570 (14.5)
2SEV744DS	104934	0.75	480/3	60	1750	K	F	2.3	7.7	14/4	SOW	0.570 (14.5)
2SEV754DS	104935	0.75	600/3	60	1750	L	F	1.6	7.2	14/4	SOW	0.570 (14.5)
2SEV1024DS	104940	1.0	240/1	60	1750	G	F	8.5	25.8	14/3	SOW	0.530 (13.5)
2SEV1094DS	104941	1.0	200-240/3	60	1750	E/H	F	5.3/5.1	13.7/15.4	14/3	SOW	0.570 (14.5)
2SEV1044DS	104942	1.0	480/3	60	1750	H	F	2.5	7.7	14/4	SOW	0.570 (14.5)
2SEV1054DS	104943	1.0	600/3	60	1750	J	F	2.2	7.2	14/4	SOW	0.570 (14.5)
2SEV512DS*	104976	0.5	120/1	60	3450	G	B	12.6	24.6	14/3	SJTOW	0.375 (9.5)
2SEV522DS	104977	0.5	240/1	60	3450	E	B	6.0	10.2	14/3	SOW	0.530 (13.5)
2SEV592DS	104978	0.5	200/240/3	60	3450	P/R	B	5.8/5.3	19.9/18.4	14/3	SOW	0.570 (14.5)
2SEV542DS	104980	0.5	480/3	60	3450	R	B	2.6	9.1	14/3	SOW	0.570 (14.5)
2SEV552DS	104981	0.5	600/3	60	3450	T	B	2.1	8.7	14/3	SOW	0.570 (14.5)
2SEV1022DS	104987	1.0	240/1	60	3450	F	B	10.7	21.8	14/3	SOW	0.530 (13.5)
2SEV1092DS	104988	1.0	200-240/3	60	3450	H/J	B	7.9/7.5	19.9/18.4	14/4	SOW	0.570 (14.5)
2SEV1042DS	104990	1.0	480/3	60	3450	J	B	3.7	9.1	14/4	SOW	0.570 (14.5)
2SEV1052DS	104991	1.0	600/3	60	3450	L	B	2.9	8.7	14/4	SOW	0.570 (14.5)

OPTIONAL - Temperature sensor cord for 3 phase models is 14/3 SOW, 0.530 (13.5mm) O.D.

OPTIONAL - Moisture sensor cord is 18/5 SOW, 0.470 (11.9mm) O.D.

OPTIONAL - Moisture & Temperature sensor cord for 3 phase models is 18/5 SOW, 0.470 (11.9mm) O.D.

(\*) Pump is CSA listed **ONLY**.

### IMPORTANT !

- 1.) PUMP MAY BE OPERATED "DRY" FOR EXTENDED PERIODS WITHOUT DAMAGE TO MOTOR AND/OR SEALS.
- 2.) INSTALLATIONS SUCH AS DECORATIVE FOUNTAINS OR WATER FEATURES PROVIDED FOR VISUAL ENJOYMENT MUST BE INSTALLED IN ACCORDANCE WITH THE NATIONAL ELECTRIC CODE ANS/NFPA 70 AND/OR THE AUTHORITY HAVING JURISDICTION. THIS PUMP IS NOT INTENDED FOR USE IN SWIMMING POOLS, RECREATIONAL WATER PARKS, OR INSTALLATIONS IN WHICH HUMAN CONTACT WITH PUMPED MEDIA IS A COMMON OCCURRENCE.

SECTION 1B  
PAGE 28  
DATE 8/16

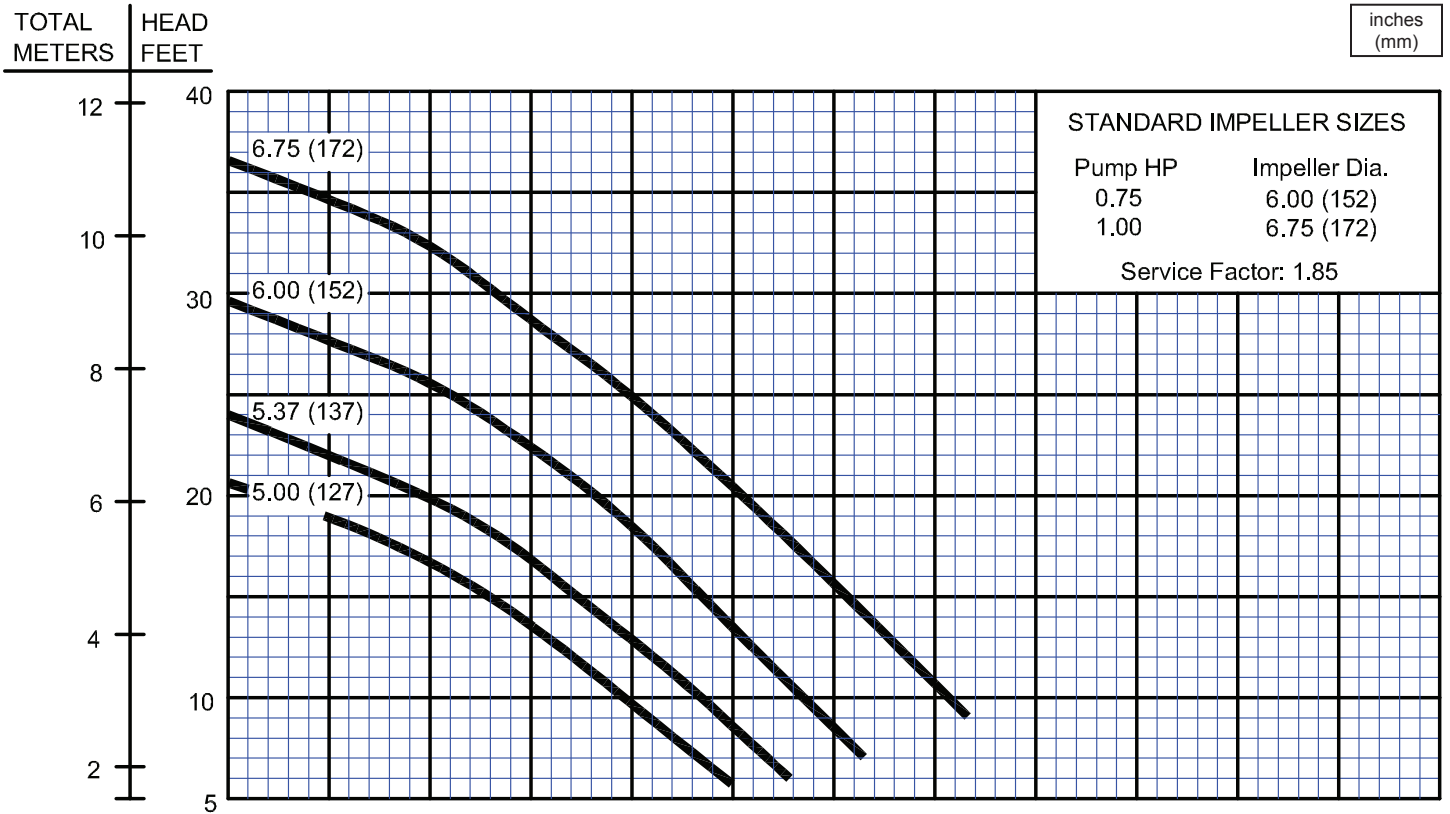
# CRANE®

A Crane Co. Company

## PUMPS & SYSTEMS

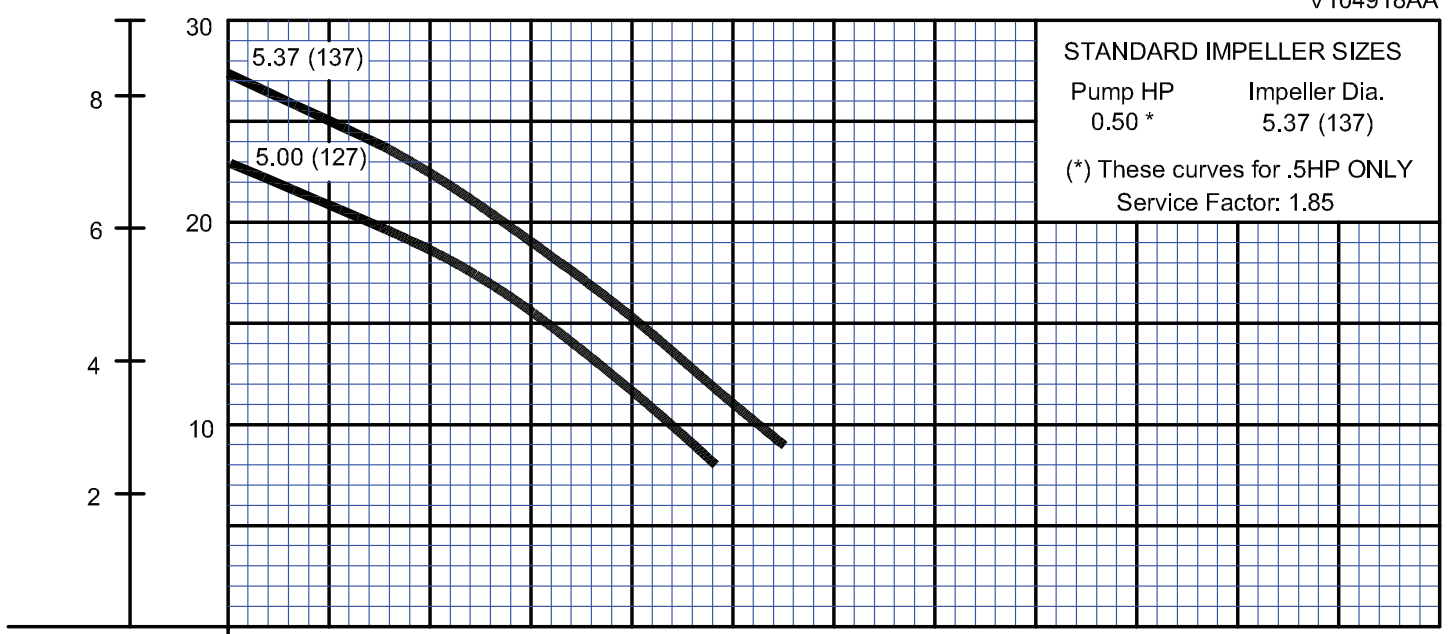
USA: (937) 778-8947 • Canada: (905) 457-6223 • International: (937) 615-3598

### 2" Discharge

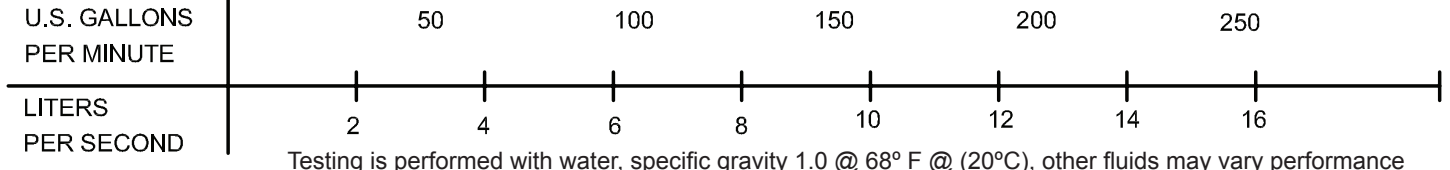


STANDARD IMPELLER SIZES	
Pump HP	Impeller Dia.
0.75	6.00 (152)
1.00	6.75 (172)
Service Factor: 1.85	

V104918AA



STANDARD IMPELLER SIZES	
Pump HP	Impeller Dia.
0.50 *	5.37 (137)
(*) These curves for .5HP ONLY	
Service Factor: 1.85	



Testing is performed with water, specific gravity 1.0 @ 68° F @ (20°C), other fluids may vary performance

# Series 2SEV-DS

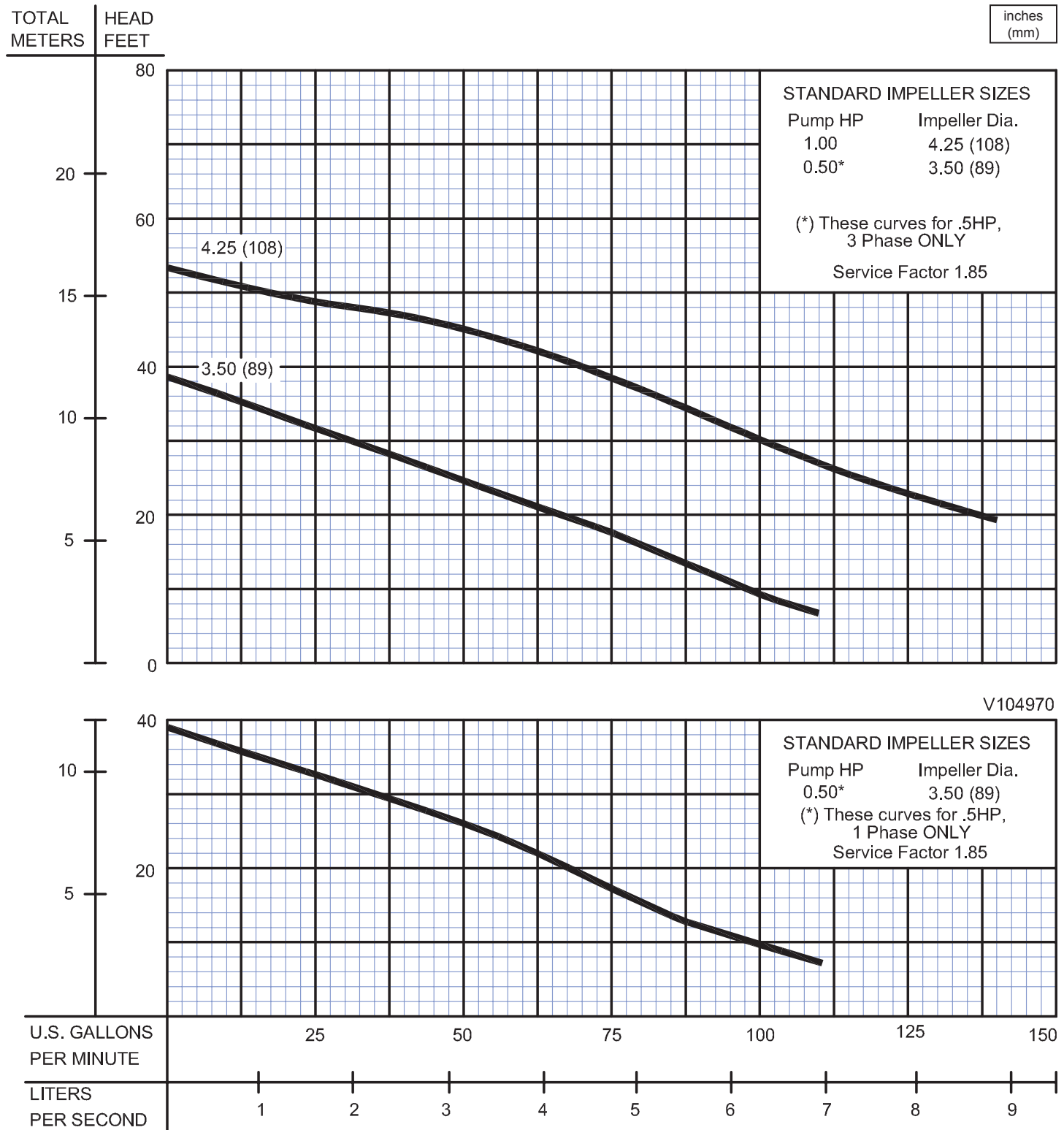
Performance Curve

.5HP & 1HP, 3450RPM, 60Hz

# BARNES®

www.cranepumps.com

## 2" Discharge



Testing is performed with water, specific gravity 1.0 @ 68° F @ (20°C), other fluids may vary performance

SECTION 1B  
PAGE 30  
DATE 6/04

**CRANE**®

A Crane Co. Company

**PUMPS & SYSTEMS**

USA: (937) 778-8947 • Canada: (905) 457-6223 • International: (937) 615-3598